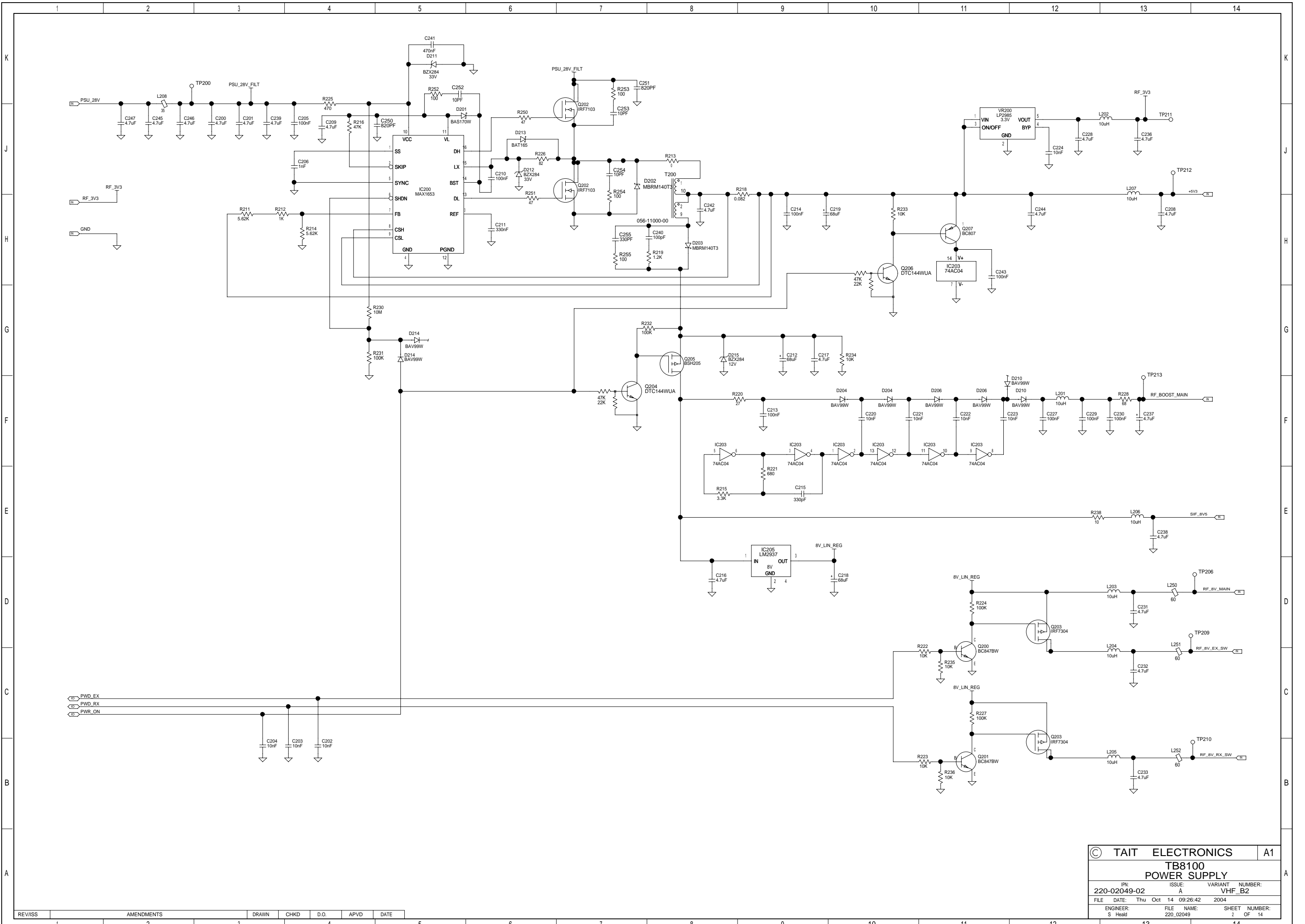


02A	DCO 02049-001	UPDATE FOR D3 PERFORMANCE	CJK	SH	CJK	SH	05OCT04
01A	INITIAL	DESIGN	MODIFIED	FORM 226-00297-02	CJK	SH	16/06/04
REVISS	AMENDMENTS		DRAWN	CHKD	D.O.	APVD	DATE

© TAIT ELECTRONICS		A1
<b>TB8100</b>		
VHF RECITER RF TOP LEVEL		
IPN:	ISSUE:	VARIANT NUMBER:
220-02049-02	A	VHF_B2
FILE DATE:	Thu Oct 14 09:26:20 2004	
ENGINEER:	FILE NAME:	SHEET NUMBER:
S Heald	220_02049	1 OF 14



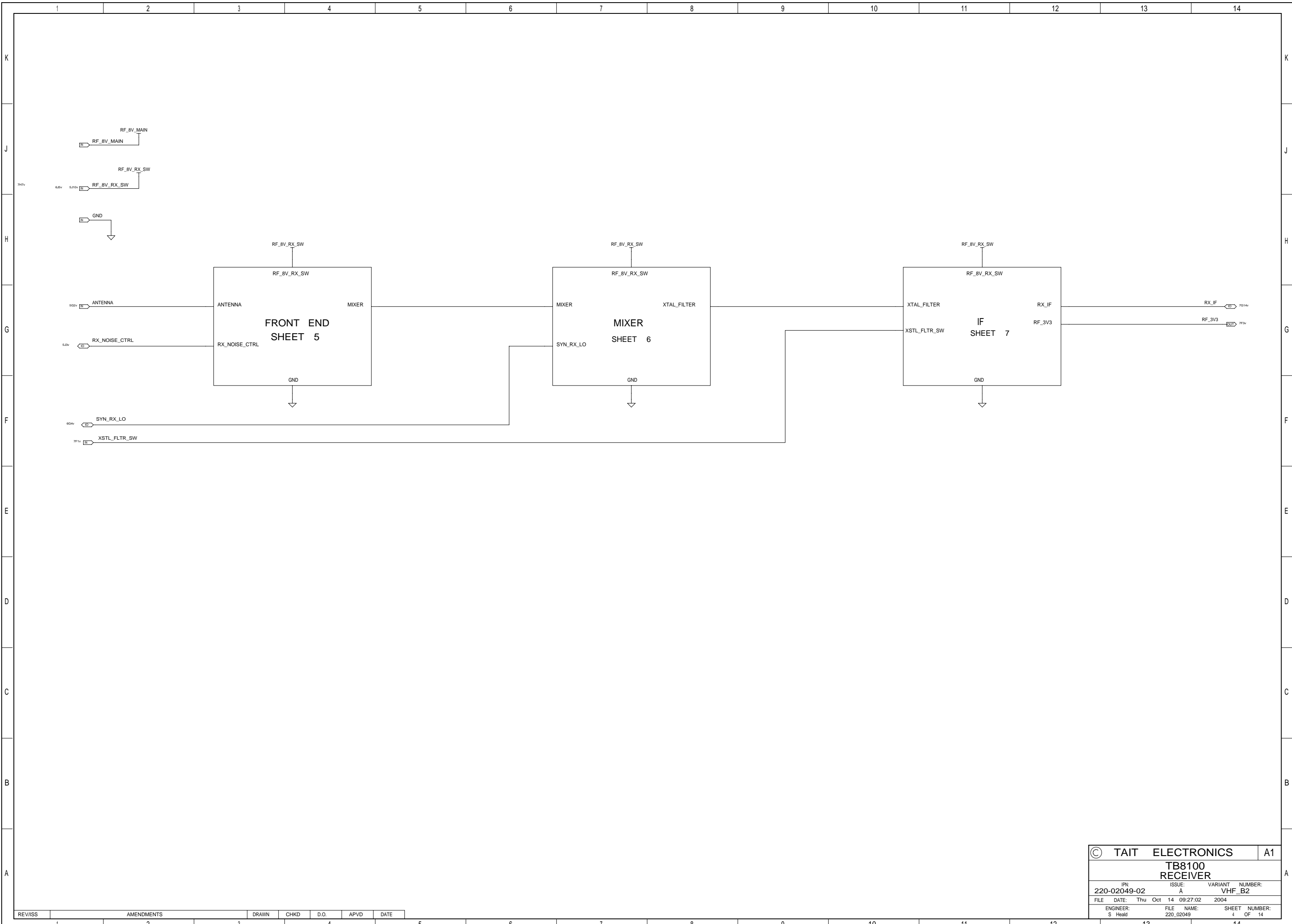
© TAIT ELECTRONICS		A1
<b>TB8100 POWER SUPPLY</b>		
IPN: 220-02049-02	ISSUE: A	VARIANT NUMBER: VHF_B2
FILE DATE: Thu Oct 14 09:26:42 2004	ENGINEER: S Heald	FILE NAME: 220_02049
		SHEET NUMBER: 2 OF 14

REV/ISS	AMENDMENTS	DRAWN	CHKD	D.O.	APVD	DATE
1						



© TAIT ELECTRONICS		A1
<b>TB8100 RF CONN</b>		
IPN: 220-02049-02	ISSUE: A	VARIANT NUMBER: VHF_B2
FILE DATE: Thu Oct 14 09:26:59 2004	FILE NAME: 220_02049	SHEET NUMBER: 3 OF 14
ENGINEER: S Heald		

REV/ISS	AMENDMENTS	DRAWN	CHKD	D.O.	APVD	DATE
1						

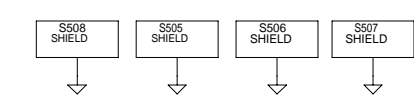
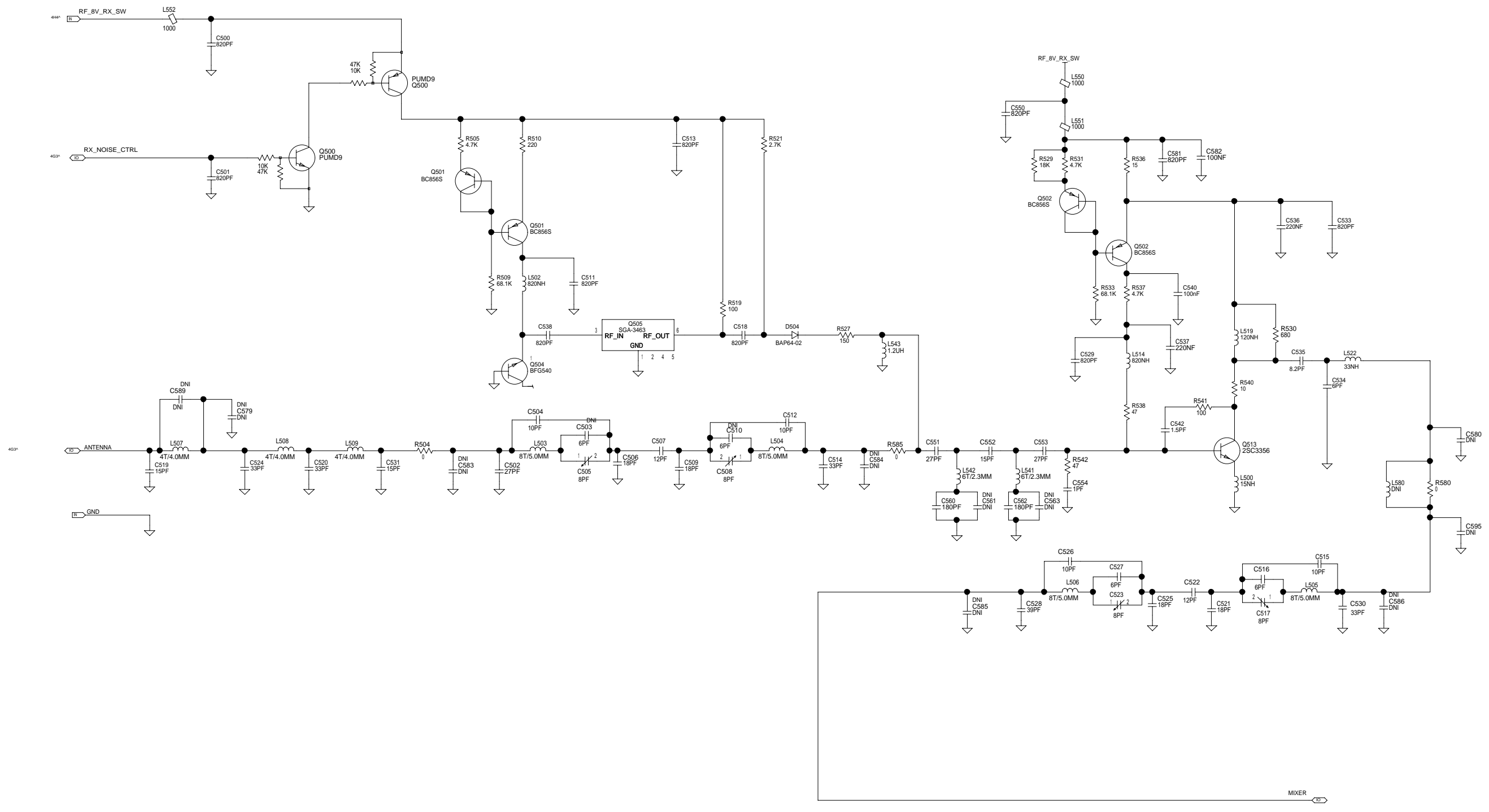


© TAIT ELECTRONICS		A1
<b>TB8100 RECEIVER</b>		
IPN: 220-02049-02	ISSUE: A	VARIANT NUMBER: VHF_B2
FILE DATE: Thu Oct 14 09:27:02 2004		
ENGINEER: S Heald	FILE NAME: 220_02049	SHEET NUMBER: 4 OF 14

REV/ISS	AMENDMENTS	DRAWN	CHKD	D.O.	APVD	DATE
1						
2						
3						
4						
5						
6						
7						
8						
9						
10						
11						
12						
13						
14						

1 2 3 4 5 6 7 8 9 10 11 12 13 14

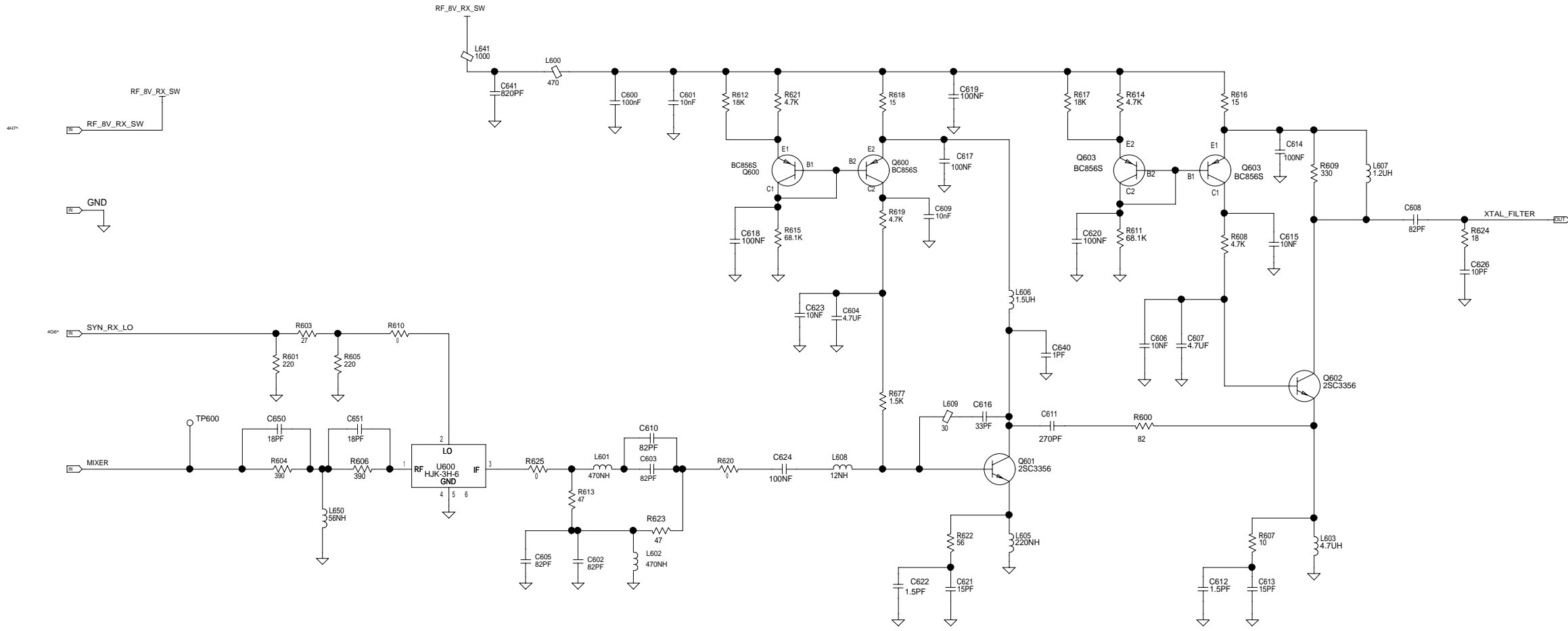
K J H G F E D C B A



© TAIT ELECTRONICS			A1
<b>TB8100 FRONT END</b>			
IPN: 220-02049-02	ISSUE: A	VARIANT: VHF_B2	NUMBER: 2004
FILE DATE: Thu Oct 14 09:27:18	ENGINEER: S Heald		SHEET NUMBER: 5 OF 14

REV/ISS	AMENDMENTS	DRAWN	CHKD	D.O.	APVD	DATE
1						

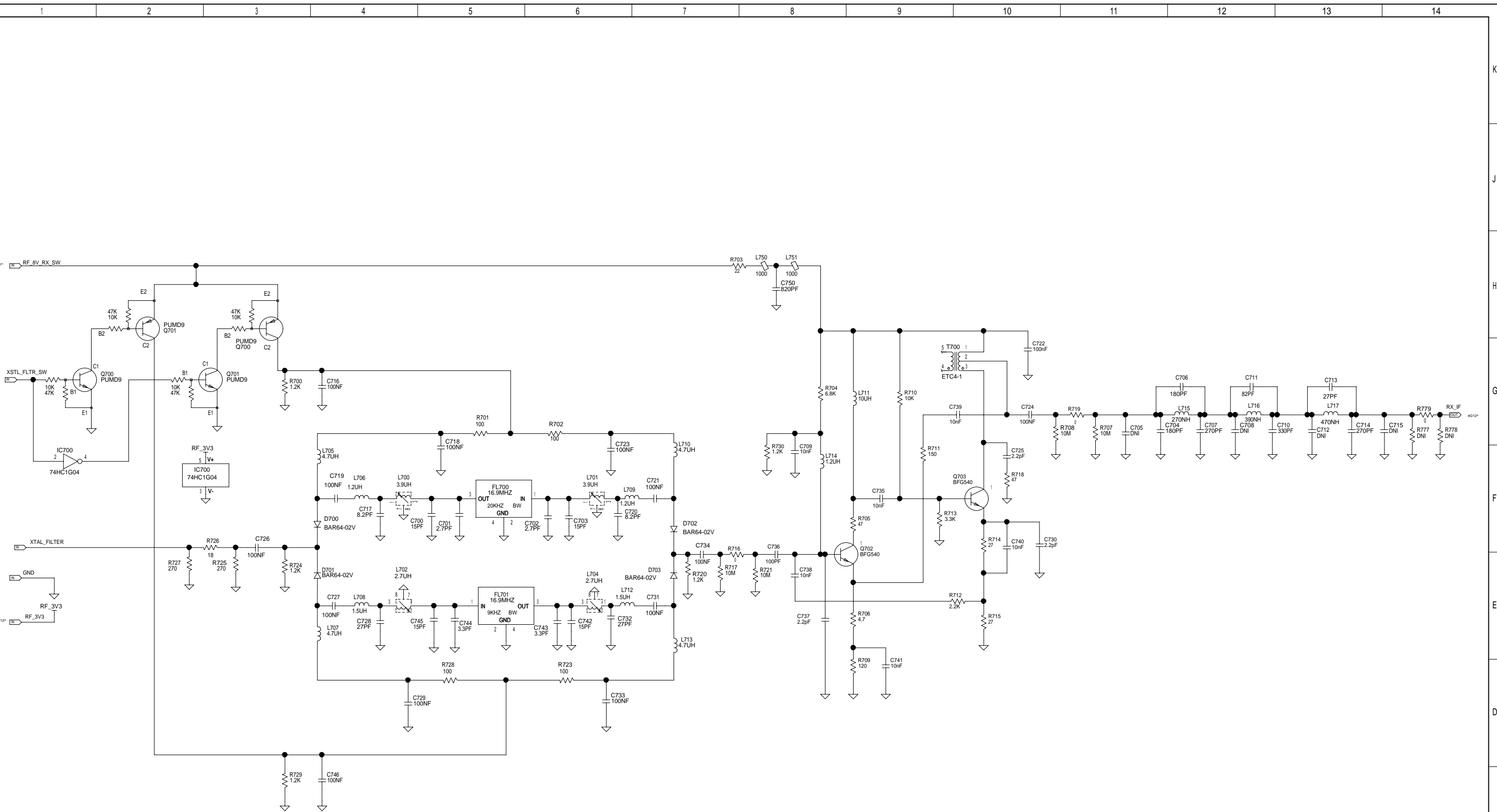
1 2 3 4 5 6 7 8 9 10 11 12 13 14



S605  
SHIELD

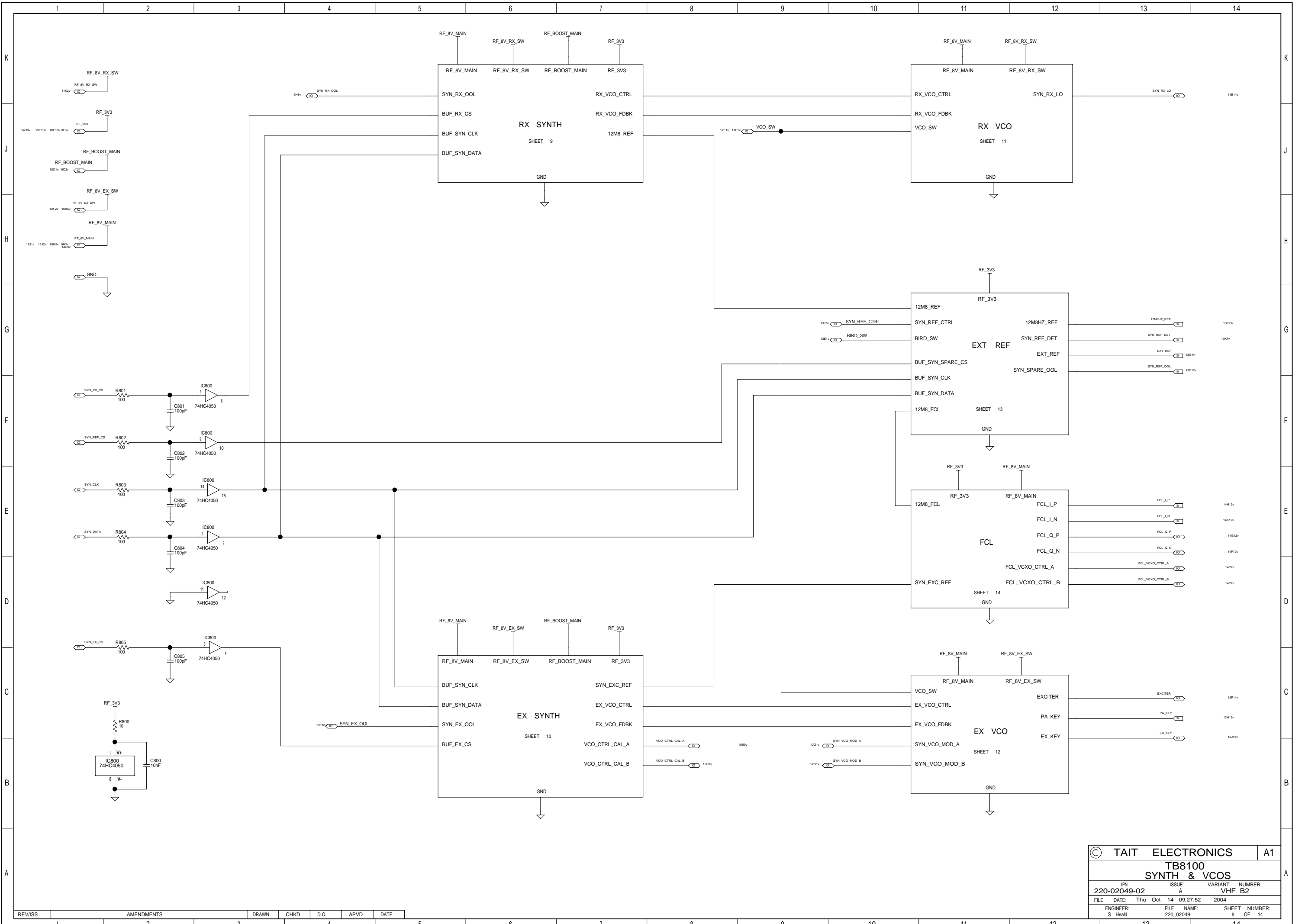
© TAIT ELECTRONICS		A1
<b>TB8100 MIXER</b>		
IPN: 220-02049-02	ISSUE: A	VARIANT NUMBER: VHF_B2
FILE DATE: Thu Oct 14 09:27:29 2004	FILE NAME: 220_02049	SHEET NUMBER: 6 OF 14
ENGINEER: S Heald		

REV/ISS	AMENDMENTS	DRAWN	CHKD	D.O.	APVD	DATE
1						
2						
3						
4						
5						



© TAIT ELECTRONICS		A1
TB8100		
IF		
IPN:	ISSUE:	VARIANT NUMBER:
220-02049-02	A	VHF_B2
FILE DATE:	Thu Oct 14 09:27:46	2004
ENGINEER:	FILE NAME:	SHEET NUMBER:
S Heald	220_02049	7 OF 14

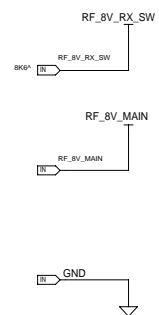
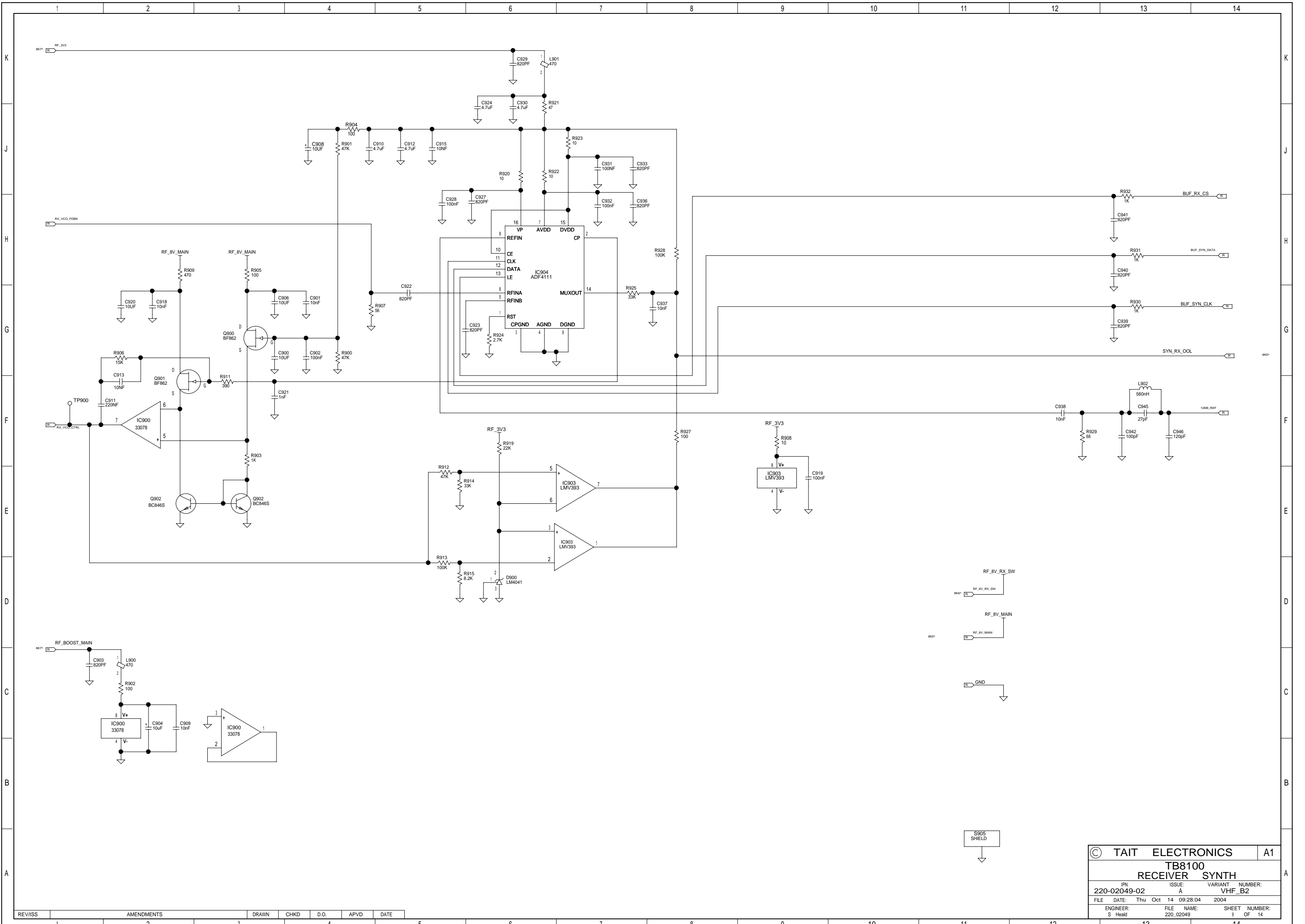
REV/ISS	AMENDMENTS	DRAWN	CHKD	D.O.	APVD	DATE
1						



© TAIT ELECTRONICS		A1
<b>TB8100 SYNTH &amp; VCOS</b>		
IPN: 220-02049-02	ISSUE: A	VARIANT NUMBER: VHF_B2
FILE DATE: Thu Oct 14 09:27:52 2004	ENGINEER: S Heald	FILE NAME: 220_02049
REVISIONS	AMENDMENTS	DRAWN
CHKD	D.O.	APVD
DATE		

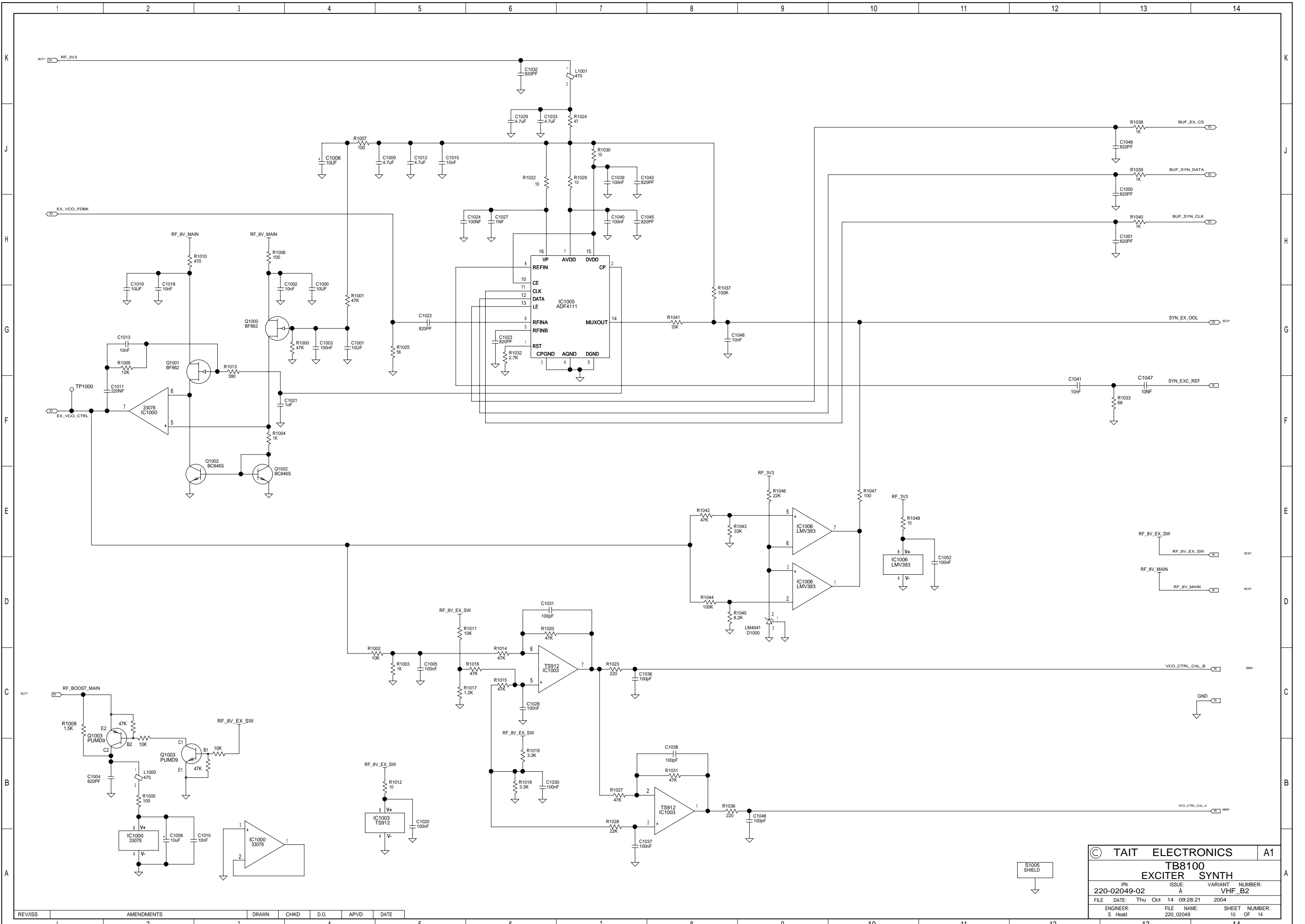
REV/ISS	AMENDMENTS	DRAWN	CHKD	D.O.	APVD	DATE
1						





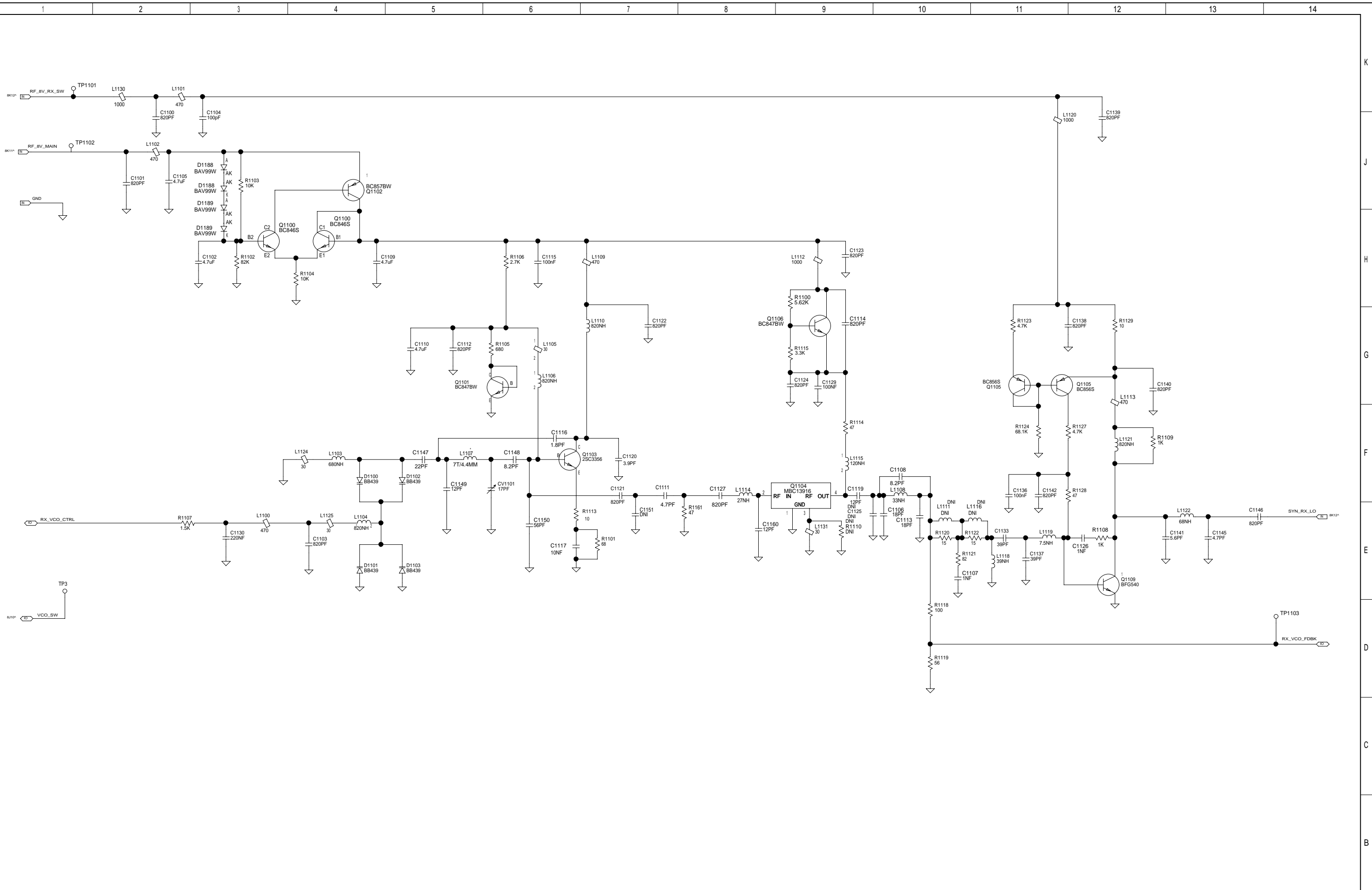
© TAIT ELECTRONICS		A1
<b>TB8100</b>		
<b>RECEIVER SYNTH</b>		
IPN: 220-02049-02	ISSUE: A	VARIANT NUMBER: VHF_B2
FILE DATE: Thu Oct 14 09:28:04 2004	FILE NAME: 220_02049	SHEET NUMBER: 9 OF 14
ENGINEER: S Heald		

REV/ISS	AMENDMENTS	DRAWN	CHKD	D.O.	APVD	DATE
1						



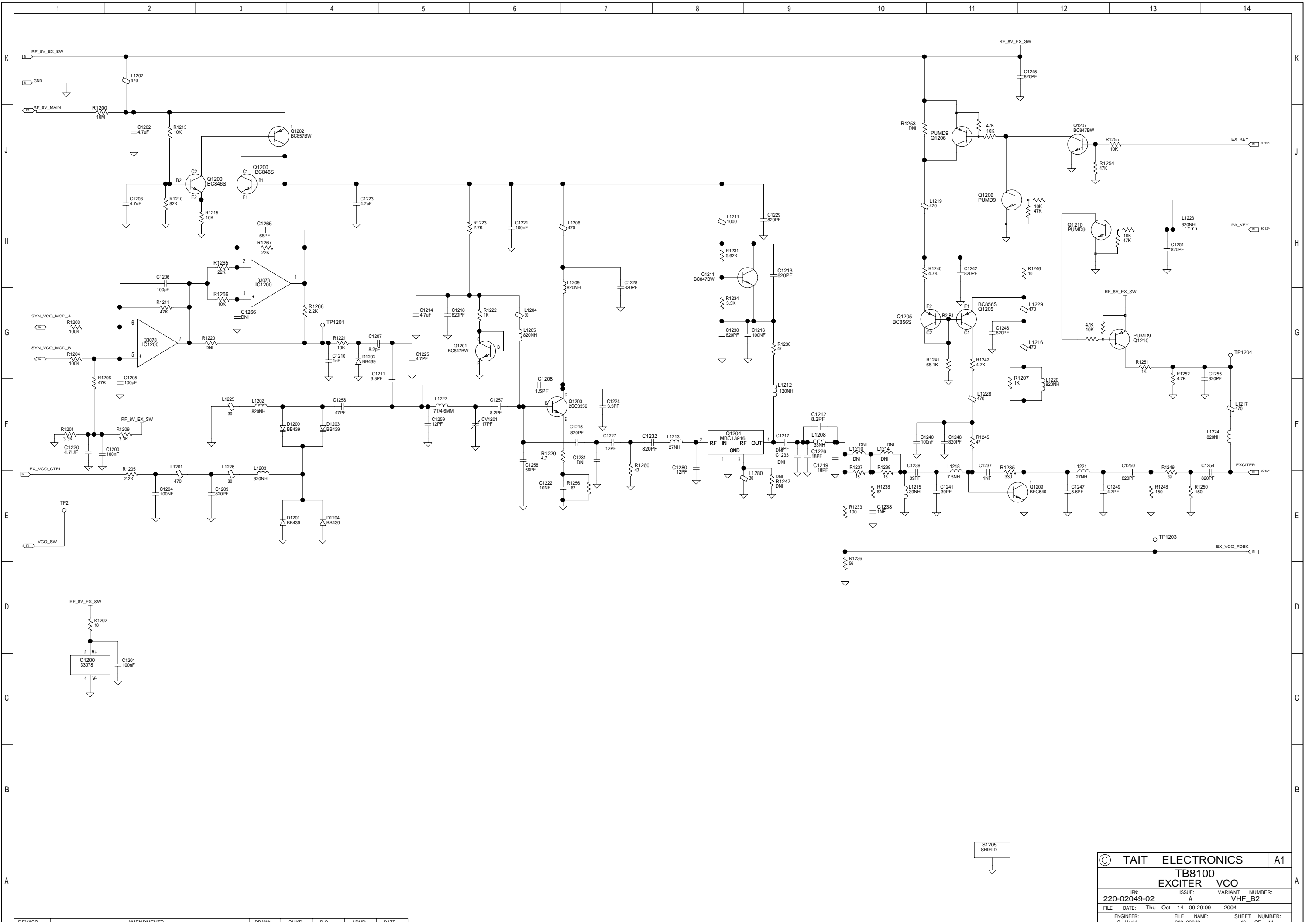
© TAIT ELECTRONICS		A1
<b>TB8100 EXCITER SYNTH</b>		
IPN: 220-02049-02	ISSUE: A	VARIANT NUMBER: VHF_B2
FILE DATE: Thu Oct 14 09:28:21 2004	ENGINEER: S Head	FILE NAME: 220_02049
		SHEET NUMBER: 10 OF 14

REV/ISS	AMENDMENTS	DRAWN	CHKD	D.O.	APVD	DATE
1						
2						
3						
4						
5						
6						
7						
8						
9						
10						
11						
12						
13						
14						



© TAIT ELECTRONICS		A1
<b>TB8100</b>		
<b>RECEIVER VCO</b>		
IPN: 220-02049-02	ISSUE: A	VARIANT NUMBER: VHF_B2
FILE DATE: Thu Oct 14 09:28:46 2004	FILE NAME: 220_02049	SHEET NUMBER: 11 OF 14
ENGINEER: S Heald	FILE NAME: 220_02049	SHEET NUMBER: 11 OF 14

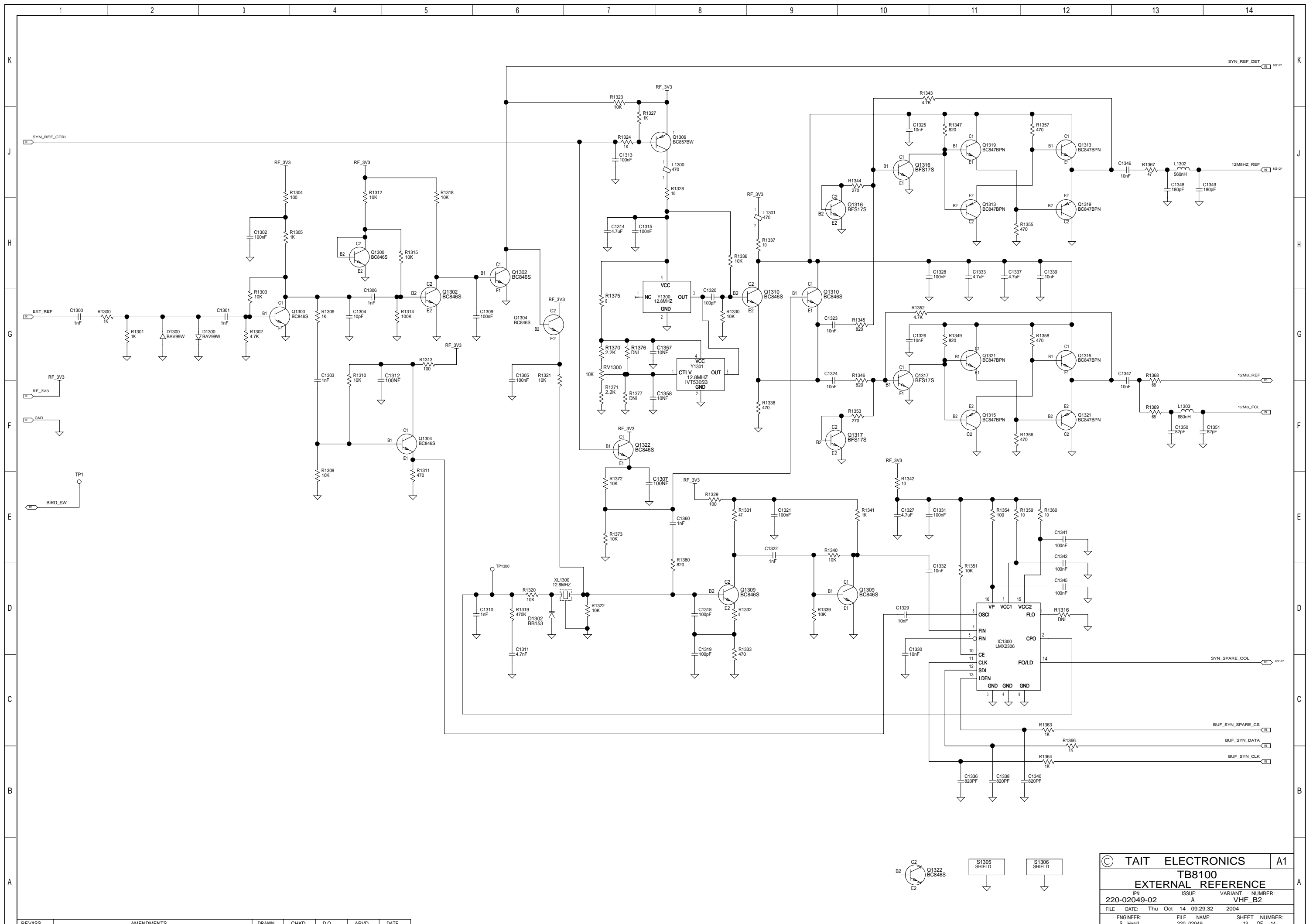
REV/ISS	AMENDMENTS	DRAWN	CHKD	D.O.	APVD	DATE
1						



S1205 SHIELD

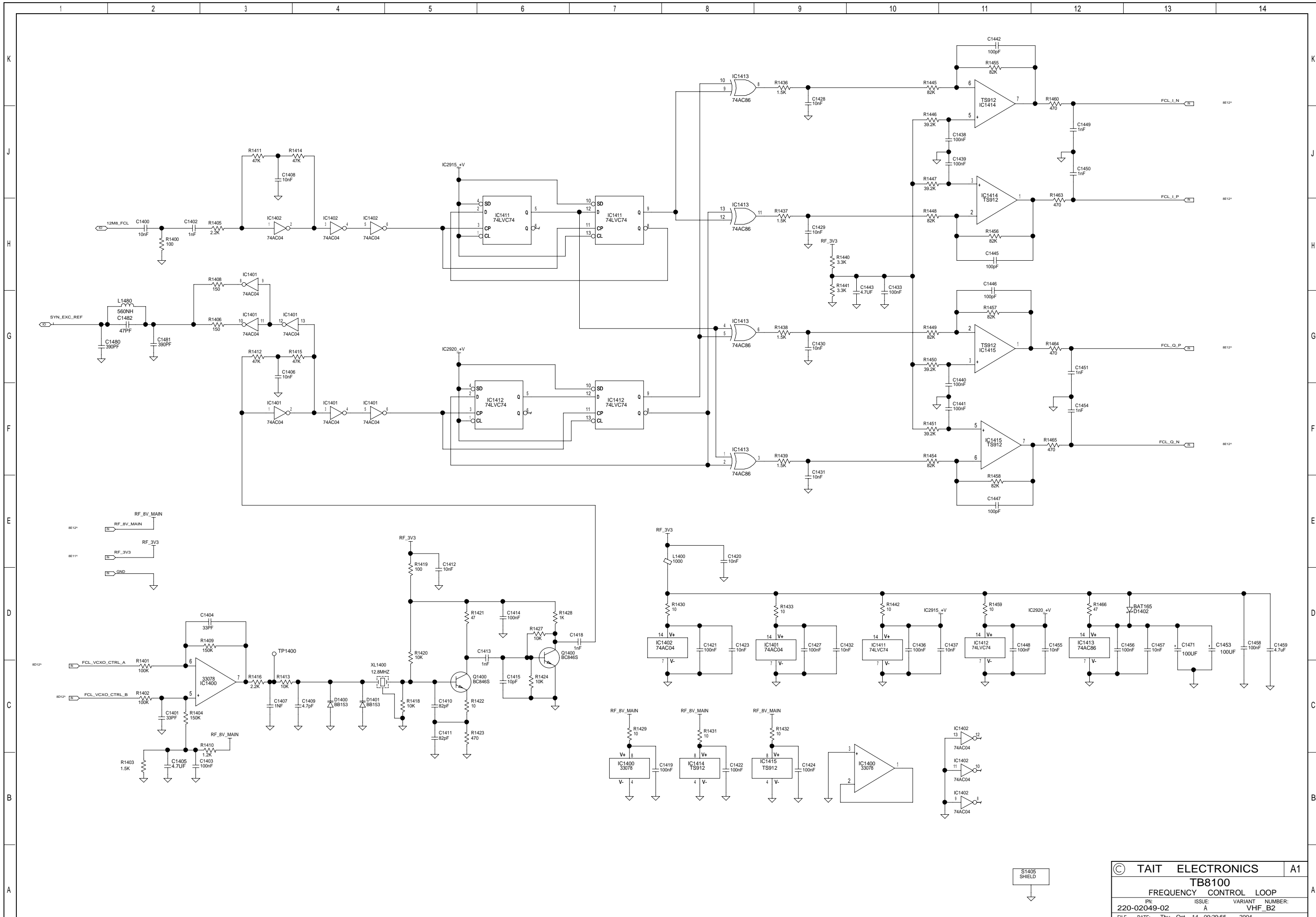
© TAIT ELECTRONICS		A1
TB8100		
EXCITER VCO		
IPN:	ISSUE:	VARIANT NUMBER:
220-02049-02	A	VHF_B2
FILE DATE:	Thu Oct 14 09:29:09 2004	
ENGINEER:	FILE NAME:	SHEET NUMBER:
S Head	220_02049	12 OF 14

REV/ISS	AMENDMENTS	DRAWN	CHKD	D.O.	APVD	DATE
1						
2						
3						
4						
5						
6						
7						
8						
9						
10						
11						
12						
13						
14						



© TAIT ELECTRONICS		A1
<b>TB8100</b>		
<b>EXTERNAL REFERENCE</b>		
IPN: 220-02049-02	ISSUE: A	VARIANT NUMBER: VHF_B2
FILE DATE: Thu Oct 14 09:29:32 2004	FILE NAME: 220_02049	SHEET NUMBER: 13 OF 14
ENGINEER: S Heald		

REV/ISS	AMENDMENTS	DRAWN	CHKD	D.O.	APVD	DATE
1						
2						
3						
4						
5						



REV/ISS	AMENDMENTS	DRAWN	CHKD	D.O.	APVD	DATE
1						
2						
3						
4						
5						
6						
7						
8						
9						
10						
11						
12						
13						
14						

© TAIT ELECTRONICS		A1
<b>TB8100</b>		
FREQUENCY CONTROL LOOP		
IPN:	ISSUE:	VARIANT NUMBER:
220-02049-02	A	VHF_B2
FILE DATE:	Thu Oct 14 09:29:55	2004
ENGINEER:	FILE NAME:	SHEET NUMBER:
S Heald	220_02049	14 OF 14